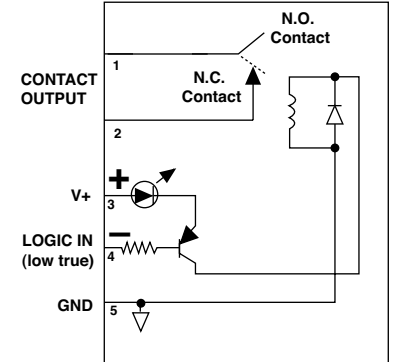


Relay Output & Watchdog

- To specify the WRC4 package, use the prefix “WRC4” (eg. WRC4-IA5S.)
- To specify the slim package, use the “S” suffix with the 1781 prefix (eg. 1781-RO5S/RC5S.)
- To specify the mini package, use the “M” suffix with the 1781 prefix (eg. 1781-RO5M/RC5M.)
- To specify the standard package, use the “Classic” part number (eg. OAC5R or OAC5R5.)

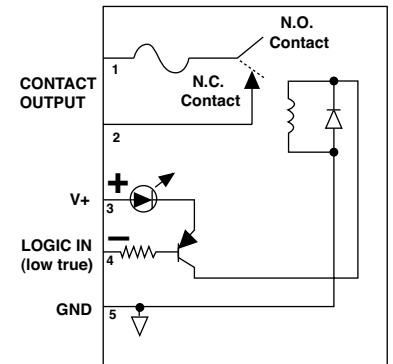
Classic & 1781-RO_S/RC_S

INPUT: WRC4 and 1781 CLASSIC	WO5S/WC5S ^{1 & 2}	RO5S/RC5S ² OAC5R(5)	ROYS/RCYS ² OAC15R(5)	ROXS/RCXS ² OAC24R(5)	Units
Nominal input voltage	5	5	15	24	V dc
Min. input volt. @ pin 3 - WRC4	4.5	4.5	10.5	19.5	V dc
Min. input volt. @ pin 3 - 1781	3.0	3.0	9	18.0	V dc
Max. input volt. @ pin 3 - WRC4	5.5	5.5	20	30.5	V dc
Max. input volt. @ pin 3 - 1781	5.5	5.5	20	30.5	V dc
Must turn off voltage	—	1.0	2.0	3.0	V dc
Typical input current	0 (4A transient)	1.3	3	2.2	mA dc
Maximum input current	0 (5A transient)	2.2	4	2.5	mA dc
Nominal input resistance	2.2K (series 0.1 uF)	2K	4.7K	10K	ohm
Typical V+ supply current	50	50	24	15	mA dc

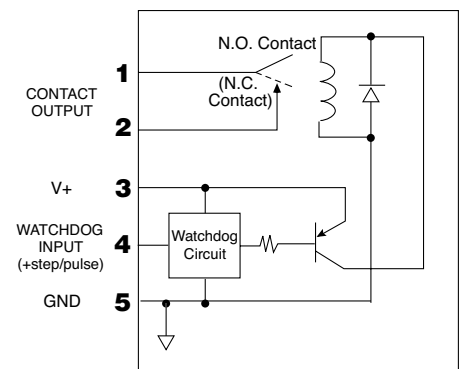


OUTPUT					
Nominal line voltage	5	5	5	5	V dc/ V rms
Maximum line voltage	100/125	100/125	100/125	100/125	V dc/ V rms
Minimum line voltage	0	0	0	0	V dc/ V rms
Max peak off-state voltage	100/125	100/125	100/125	100/125	V dc/ V rms
Max. off-state leakage cur.	0	0	0	0	mA dc
Maximum on-state current	1A, 30 Wdc, 62.5 VA	1A, 30 Wdc, 62.5 VA	1A, 30 Wdc, 62.5 VA	1A, 30 Wdc, 62.5 VA	Resistive Load
Minimum on-state current	0	0	0	0	mA
Maximum 1 second surge	2.5	2.5	2.5	2.5	A peak
Peak on-state voltage	0.25	0.25	0.25	0.25	V dc
Maximum turn-on time	2	2	2	2	ms
Maximum turn-off time	1	1	1	1	ms
Fuse rating (WRC4 only)	4A	4A	4A	4A	fast-acting

WRC4-RO_S/RC_S



1781-WO5S/WC5S



¹ Timer Values: xxx = value in milliseconds. xxs = value in seconds
 40, 80, 125, 250, 500 ms 4, 8, 16, 32 sec.

Examples: 1781-WO5S-500 has N.O. contacts & 500 ms watchdog
 1781-WC5S-4S has N.C. contacts & 4 sec. watchdog

² 1781-RO5S/ROXS & 1781-WO5S contacts normally open (N/O)
 1781-RC5S/RCXS & 1781-WC5S contacts normally closed (N/C)

General specifications

Operating Temperature Range	-30 to +80°C
Isolation Voltage	1000 V rms
Capacitance Input to Output	8 pF

Application notes

- Relay & watchdog modules are rated for resistive loads only.