

INPUT	OB5Q	OC5Q	Units	RO5Q/RC5Q ¹
Nominal Input Voltage	5	5	V dc	5 V dc
Minimum Input Voltage	4.0	4.0	V dc	4.0 V dc
Maximum Input Voltage	6.0	6.0	V dc	6.0 V dc
Drop Out Voltage	1.0	1.0	V dc	1.0 V dc
Maximum Input Current	15	15	mA dc	27 mA dc
Typical Input Current	10	10	mA dc	10 mA dc
Nominal Input Resistance	240	240	Ω	240 Ω
Typical V+ Current	—	—	—	48 mA dc/channel on
Isolation	4000	4000	V rms	1000 V rms

General specifications

Operating temperature range -30 to +80°C
 Storage temperature range -40 to +100°C
 Capacitance input to output 8 pF
 Isolation voltage 4000 Vrms

Application notes

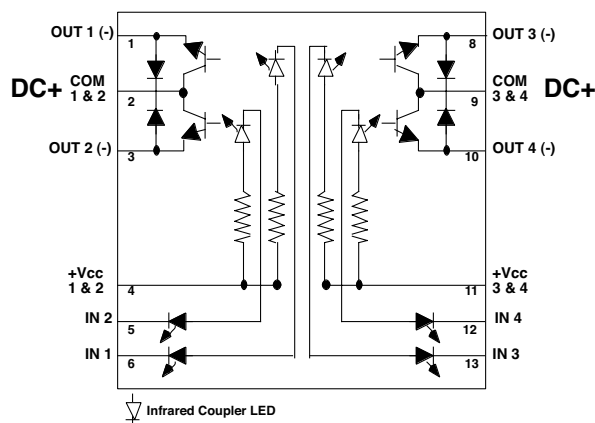
- Do not install or remove modules in live (electrically hot) circuits. High voltage may be present.
- Solid-state output connections are polarized.
- An externally located communicating diode must be installed across inductive loads.
- Relay modules for resistive loads only.
- Relay output connections are not polarized.

OUTPUT	OB5Q	OC5Q	Units	RO5Q/RC5Q ¹
Maximum Line Voltage	60	200	V dc	110 V dc/125 V ac
Minimum Line Voltage	3.0	5.0	V dc	—
Maximum Off-state Voltage	60	200	V dc	110 V dc/125 V dc
Maximum Off-state Leakage	1.0	2.0	mA dc	—
Maximum On-state Current	3.0*	1.0**	A dc	1A, 30 W dc 62.5 V A (resistive load)
Minimum On-state Current	10	10	mA dc	—
Maximum 1-second Surge	5	5	A dc	2.5 A (resistive load)
Peak On-state Voltage @ 25°C	1.5	1.5	V dc	0.25 V dc
Maximum Turn-on Time	50	50	μ sec	2 msec (20 cpm)
Maximum Turn-off Time	100	100	μ sec	1 msec (20 cpm)

* Derate 40 mA/°C above 20°C. When operating in I/O racks that share a common fuse between two channels, maximum on-state current must not exceed a total of 3.75 A rms @ 20° ambient for both channels.

** Derate 20 mA/°C above 60°C. When operating in I/O racks that share a common fuse between two channels, maximum on-state current must not exceed a total of 3.75 A rms @ 20° ambient for both channels.

1781-OB5Q, 1781-OC5Q



1781-RO5Q, 1781-RC5Q

