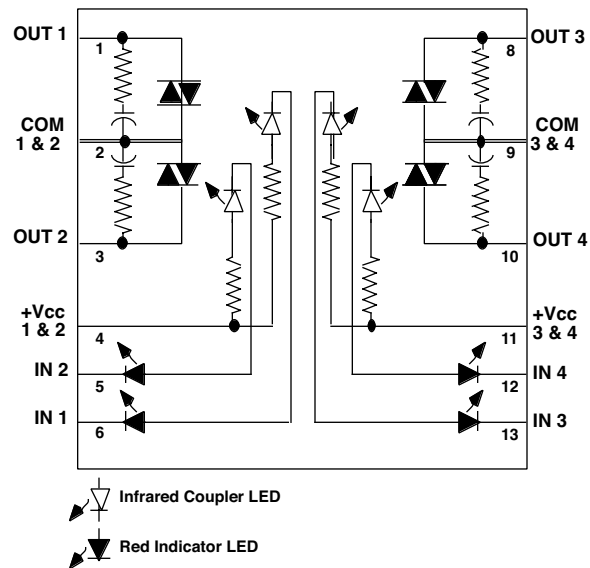


INPUT	OA5Q	OM5Q	Units
Nominal Input Voltage	5	5	Vdc
Minimum Input Voltage	4.0	4.0	Vdc
Maximum Input Voltage	6.0	6.0	Vdc
Drop Out Voltage	1.0	1.0	V dc
Maximum Input Current	15	15	mA dc
Typical Input Current	10	10	mA dc
Nominal Input Resistance	240	240	Ω

OUTPUT	OA5Q	OM5Q	Units
Nominal Line Voltage	120	240	V rms
Maximum Line Voltage	140	280	V rms
Minimum Line Voltage	12	24	V rms
Maximum Off-state Leakage	2.5	4.5	mA rms
Static Off-state (dv/dt)	200	200	V/ μ sec
Maximum On-state Current*	3.0	3.0	A rms
Minimum On-state Current	50	50	mA rms
Maximum 1-cycle Surge	100	100	A peak
Peak On-state Voltage	1.6	1.6	V peak
Response Time	0.5	0.5	cycle

* Derate 40 mA/°C above 20°C. When operating in I/O racks that share a common fuse between two channels, maximum on-state current must not exceed a total of 3.75 A rms @ 20° ambient for both channels.



General specifications

Operating temperature range -30 to +80°C
 Storage temperature range -40 to +100°C
 Isolation 4,000 V rms
 Capacitance input to output 8 pF
 Line frequency range 47 to 63 Hz

Application notes

- Do not install or remove modules in live (electrically hot) circuits. High voltage may be present.
- Output connections are non-polarized.