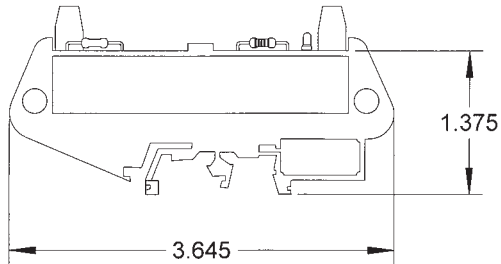


for a single 1781 slim or WRC4 I/O module

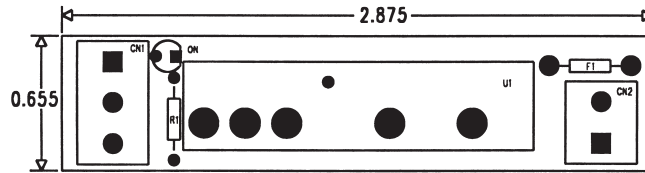
1782-I/O Base & WRC4-I/O Base mounting boards can be used with either a single 1781-series slim I/O module or a single WRC4-series I/O module, respectively. The terminal blocks accept insulated wire with stripped ends or ferrules. Inputs or Outputs can be used for either sinking or sourcing applications. They are designed to be mounted on DIN rails, such as the WRC50022.

MOUNTING DIMENSIONS

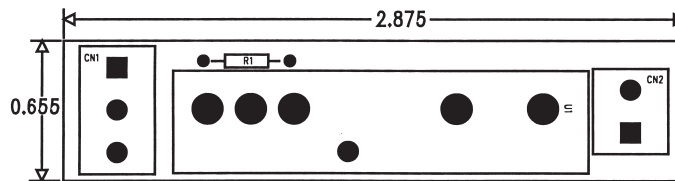
1782-IBAS & WRC4-IBAS



1782-IBAS

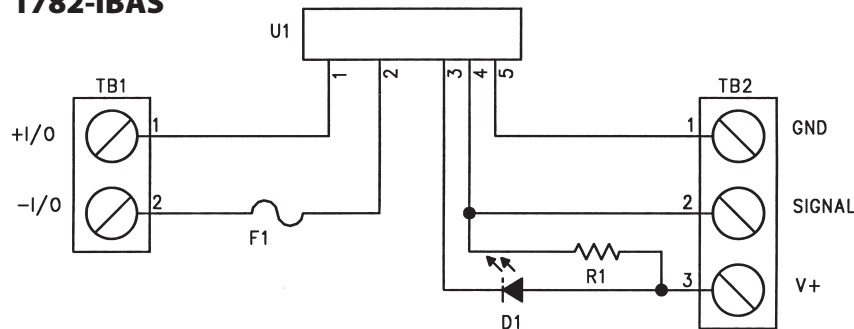


WRC4-IBAS



SCHEMATIC DIAGRAM

1782-IBAS



WRC4-IBAS

