

Single-point DC Output

- To specify the WRC4 package, use the prefix "WRC4" (eg. WRC4-OB5S.)
- To specify the slim package, use the "S" suffix with the 1781 prefix (eg. 1781-OB5S.)
- To specify the mini package, use the "M" suffix with the 1781 prefix (eg. 1781-OB5M.)
- To specify the standard package, use the "Classic" part number (eg. ODC5A.)

| INPUT: WRC4 and 1781 INPUT: CLASSIC | OB5S ODC5 | OBYS ODC15 | OBXS ODC24 | OC5S ODC5A | OCYS ODC15A | OCXS ODC24A | OB5S11 | OBYS11 | OBXS11 | Units |
|----------------------------------------|--------------|---------------|---------------|---------------|----------------|----------------|--------|--------|--------|-------|
| Nominal input voltage | 5 | 15 | 24 | 5 | 15 | 24 | 5 | 15 | 24 | V dc |
| Min input volt. @ pin 3 - WRC4 | 4 | 10 | 18 | 4 | 10 | 18 | 4 | 10 | 18 | V dc |
| Min input volt. @ pin 3 - 1781 | 2.5 | 8.5 | 16.5 | 2.5 | 8.5 | 16.5 | 2.5 | 8.5 | 16.5 | V dc |
| Max input volt. @ pin 3 - WRC4 | 7.5 | 20 | 30.5 | 7.5 | 20 | 30.5 | 7.5 | 20 | 30.5 | V dc |
| Max input volt. @ pin 3 - 1781 | 7.5 | 20 | 30.5 | 7.5 | 20 | 30.5 | 7.5 | 20 | 30.5 | V dc |
| Must turn off voltage for 1781 | 1.0 | 1.0 | 1.0 | 2.0 | 2.0 | 2.0 | 1.0 | 1.0 | 1.0 | V dc |
| Must turn off voltage for WRC4 | 2.0 | 2.0 | 2.0 | 2.0 | 2.0 | 2.0 | 2.0 | 2.0 | 2.0 | V dc |
| Typical input current | 10 | 10 | 11 | 10 | 10 | 11 | 10 | 10 | 11 | mA dc |
| Maximum input current | 27 | 20 | 15 | 27 | 20 | 15 | 27 | 20 | 15 | mA dc |
| Nominal input resistance | 240 | 900 | 2.2K | 240 | 900 | 2.2K | 240 | 900 | 2.2K | ohm |

| OUTPUT | | | | | | | | | | |
|-----------------------------|-----|-----|-----|------|------|------|-----|-----|-----|-------------|
| Nominal line voltage | 24 | 24 | 24 | 100 | 100 | 100 | 24 | 24 | 24 | V dc |
| Maximum line voltage | 60 | 60 | 60 | 200 | 200 | 200 | 60 | 60 | 60 | V dc |
| Minimum line voltage | 3 | 3 | 3 | 5 | 5 | 5 | 3 | 3 | 3 | V dc |
| Max peak off-state voltage | 60 | 60 | 60 | 200 | 200 | 200 | 60 | 60 | 60 | V |
| Max. off-state leakage cur. | 1.0 | 1.0 | 1.0 | 2.0 | 2.0 | 2.0 | 0.1 | 0.1 | 0.1 | mA dc |
| Maximum on-state current | 3* | 3* | 3* | 1** | 1** | 1** | 3* | 3* | 3* | A dc |
| Minimum on-state current | 10 | 10 | 10 | 10 | 10 | 10 | 10 | 10 | 10 | mA dc |
| Maximum 1 second surge | 5 | 5 | 5 | 5 | 5 | 5 | 5 | 5 | 5 | A peak |
| Peak on-state volt. @ 25°C | 1.5 | 1.5 | 1.5 | 1.5 | 1.5 | 1.5 | 1.5 | 1.5 | 1.5 | V peak |
| Maximum turn-on time | 50 | 50 | 50 | 50 | 50 | 50 | 50 | 50 | 50 | μ sec |
| Nominal turn-on time | 10 | 10 | 10 | 10 | 10 | 10 | 10 | 10 | 10 | μ sec |
| Maximum Turn-off Time ‡ | 100 | 100 | 100 | 100 | 100 | 100 | 100 | 100 | 100 | μ sec |
| Derating per ° above 60°C | 33* | 33* | 33* | 20** | 20** | 20** | 33* | 33* | 33* | mA |
| Fuse rating (WRC4 only) | 4 | 4 | 4 | 1 | 1 | 1 | 4 | 4 | 4 | fast-acting |

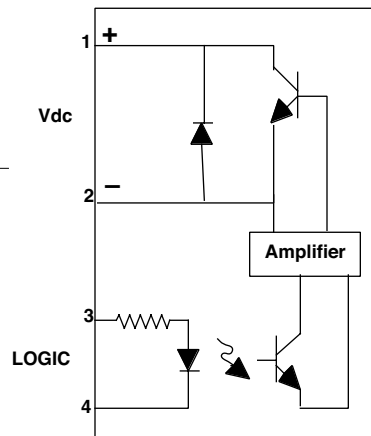
General specifications

| | |
|-----------------------------|---------------|
| Operating temperature range | -30 to +80°C |
| Storage temperature range | -40 to +100°C |
| Capacitance input to output | 8 pF |
| Isolation voltage | 4000 Vrms |

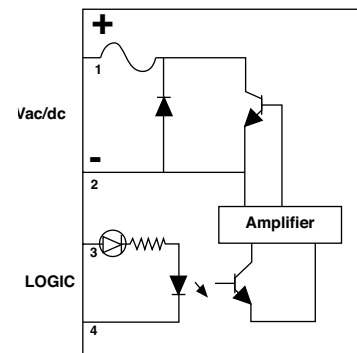
Application notes

- Do not install or remove modules in live (electrically hot) circuits. High voltage may be present.
- Output connections are polarized
- An externally located commutating diode must be installed across inductive loads.
- OF__ and OG__ modules are Mosfet-switched devices.

1781 and Classic



WRC4



- * Derate 33mA/deg. above 25°C
- ** Derate 20mA/deg above 60°C
- † Derate 50mA/deg. above 60°C
- ‡ with appropriate communicating diode