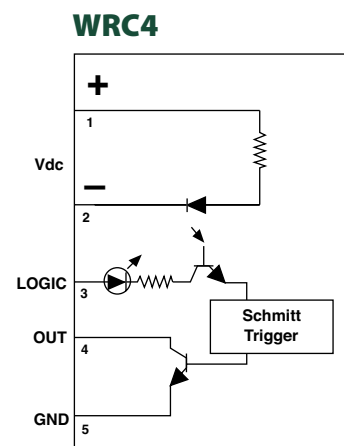
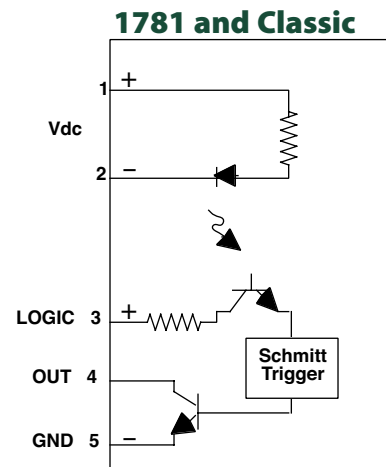


Single-point DC Input

- To specify the WRC4 package, use the prefix “WRC4” (eg. WRC4-IA5S.)
- To specify the slim package, use the “S” suffix with the 1781 prefix (eg. 1781-IA5S.)
- To specify the mini package, use the “M” suffix with the 1781 prefix (eg. 1781-IA5M.)
- To specify the standard package, use the “Classic” part number (eg. IDC5D.)

INPUT: WRC4 and 1781 INPUT: CLASSIC	IB5S IDC5D	IBYS IDC15D	IBXS IDC24D	IT5S IDC5K	ITYS	ITXS	Units
Nominal Input Voltage	24	24	24	24	24	24	V dc
Minimum Input Voltage	3.3	3.3	3.3	3.3	3.3	3.3	V dc
Maximum Input Voltage	32	32	32	32	32	32	V dc
Nominal Input Resistance	1K	1K	1K	1K	1K	1K	ohm
Maximum Input Current	32	32	32	32	32	32	mA dc
Drop Out Current	1.0	1.0	1.0	1.0	1.0	1.0	mA dc
Allowable Off-state Current	1.0	1.0	1.0	1.0	1.0	1.0	mA dc
Allowable Off-state Voltage	2.0	2.0 </td <td>2.0</td> <td>2.0</td> <td>2.0</td> <td>2.0</td> <td>V dc</td>	2.0	2.0	2.0	2.0	V dc
OUTPUT							
Nominal Logic Voltage	5	15	24	5	15	24	V dc
Min Logic Voltage - WRC4	3	10	18	3	10	18	V dc
Min Logic Voltage - 1781	1.5	8.5	16.5	1.5	8.5	16.5	V dc
Max Logic Voltage - WRC4	7	20	32	7	20	32	V dc
Max Logic Voltage - 1781	6	19	30.5	6	19	30.5	V dc
Typical Logic Supply Current	10	10	10	10	10	10	mA dc
Max Logic Supply Current	18.5	16	14	18.5	16	14	mA dc
Max Logic Supply Leakage Cur.	10	10	10	10	10	10	μA dc
Maximum Output Voltage	30	30	30	30	30	30	V dc
Maximum Output Current	50	50	50	50	50	50	mA dc
Max Output Leakage Current	10	10	10	10	10	10	μA dc
Max Output Voltage Drop	200	200	200	200	200	200	mV dc
Maximum Turn-on Time	300	300	300	30	30	30	μsec
Maximum Turn-off Time	600	600	600	60	60	60	μsec



General specifications

Operating temperature range	-30 to +80°C
Storage temperature range	-40 to +100°C
Isolation	4,000 V rms
Capacitance input to output	8 pF

Application notes

- Do not install or remove modules in live (electrically hot) circuits. High voltage may be present.
- Input connections are polarized according to diagram.