

Single-point AC Output

- To specify the WRC4 package, use the prefix “WRC4” (eg. WRC4-OA5S.)
- To specify the slim package, use the “S” suffix with the 1781 prefix (eg. 1781-OA5S.)
- To specify the mini package, use the “M” suffix with the 1781 prefix (eg. 1781-OA5M.)
- To specify the standard package, use the “Classic” part number (eg. OAC5A)

INPUT: WRC4 and 1781	OA5S	OAYS	OAXS	OL5S	OM5S	OM5MS	OMYS	OMXS	OM5SC	OMYSC	OMXSC	OM5SR	OMYSR	OMXSR	OP5S	OPYS	OPXS	Units
INPUT: CLASSIC	OAC5	OAC15	OAC24		OAC5A		OAC15A	OAC24A	OAC5A5			OAC5A11	OAC15A11	OAC24A11				
Nominal input voltage	5	15	24	5	5	5	15	24	5	15	24	5	15	24	5	15	24	V dc
Min input volt. @ pin 3 -WRC4	4	10	18	4	4	4	10	18	4	10	18	4	10	18	4	10	18	V dc
Min input volt. @ pin 3 -1781	2.5	8.5	16.5	2.5	2.5	3	8.5	16.5	2.5	8.5	16.5	2.5	8.5	16.5	2.5	8.5	16.5	V dc
Max input volt. @ pin 3 -WRC4	7.5	20	30.5	7.5	7.5	7.5	20	30.5	7.5	20	30.5	7.5	20	30.5	7.5	20	30.5	V dc
Max input volt. @ pin 3 -1781	7.5	20	30.5	7.5	7.5	32	20	30.5	7.5	20	30.5	7.5	20	30.5	7.5	20	30.5	V dc
Must turn off voltage -WRC4	2.0	2.0	2.0	2.0	2.0	2.0	2.0	2.0	2.0	2.0	2.0	2.0	2.0	2.0	2.0	2.0	2.0	V dc
Must turn off voltage -1781	2.0	2.0	2.0	2.0	2.0	2.0	2.0	2.0	2.0	2.0	2.0	2.0	2.0	2.0	2.0	2.0	2.0	V dc
Typical input current	10	10	10	10	10	10	10	10	10	10	10	10	10	10	10	10	10	mA dc
Maximum input current	27	20	13.5	27	27	27	20	13.5	27	20	13.5	27	20	13.5	27	20	13.5	mA dc
Nominal input resistance	240	900	2.2K	240	240	240	900	2.2K	240	900	2.2K	240	900	2.2K	240	900	2.2K	ohm
OUTPUT																		
Nominal line voltage	120	120	120	240	240	240	240	240	240	240	240	240	240	240	480	480	480	V rms
Maximum line voltage	140	140	140	280	280	480	280	280	280	280	280	280	280	280	480	480	480	V rms
Minimum line voltage	12	12	12	24	24	24	24	24	24	24	24	24	24	24	24	24	24	V rms
Max peak off-state voltage	400	400	400	600	600	600	600	600	600	600	600	600	600	600	800	800	800	V peak
Max. off-state leakage cur.	2.5	2.5	2.5	2.5	4.5	2.5	4.5	4.5	4.5	4.5	4.5	4.5	4.5	4.5	4.5	4.5	4.5	mA rms
Static off-state (dv/dt)	200	200	200	200	200	200	200	200	200	200	200	—	—	—	200	200	200	V/us
Maximum on-state current*	3	3	3	3	3	3	3	3	3	3	3	3	3	3	5**	5**	5**	A rms
Minimum on-state current	50	50	50	50	50	50	50	50	50	50	50	50	50	50	50	50	50	mA rms
Maximum 1 cycle surge	100	100	100	100	100	100	100	100	100	100	100	100	100	100	100	100	100	A peak
Peak on-state voltage	1.6	1.6	1.6	1.6	1.6	1.6	1.6	1.6	1.6	1.6	1.6	1.6	1.6	1.6	1.6	1.6	1.6	V peak
Fuse rating (WRC4 only)	4A	4A	4A	4A	4A	—	4A	4A	4A	4A	4A	4A	4A	4A	5A	5A	5A	fast-acting
Response time	0.5	0.5	0.5	0.5	0.5	0.5	0.5	0.5	0.5	0.5	0.5	50 μsec max			0.5	0.5	0.5	cycle

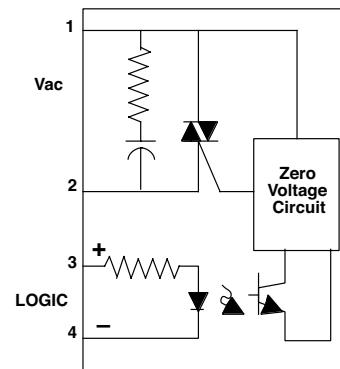
* Derate 33mA/deg. above 25C
 ** 60% duty cycle

General specifications

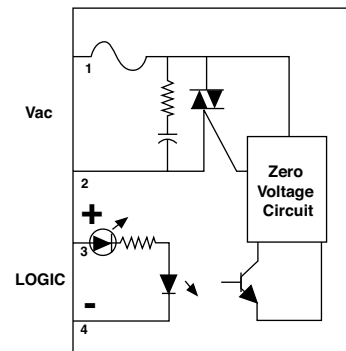
Operating temperature range	-30 to +80°C
Storage temperature range	-40 to +100°C
Isolation	4,000 V rms
Capacitance input to output	8 pF
Line frequency range	47 to 63 Hz

Application notes

- Do not install or remove modules in live (electrically hot) circuits. High voltage may be present.
- Output connections are non-polarized.
- All units, except OM__R, and OAC--A11 are zero-cross outputs. These modules turn on irrespective of zero crossing.
- All units, except OM__C and OAC__A5 are normally open. These modules are normally closed. The OM5MS covers the 5V, 15V and 24V logic levels.



1781 and Classic



WRC4