

- To specify the WRC4 package, use the prefix “WRC4” (eg. WRC4-IA5S.)
- To specify the slim package, use the “S” suffix with the 1781 prefix (eg. 1781-IA5S.)
- To specify the mini package, use the “M” suffix with the 1781 prefix (eg. 1781-IA5M.)
- To specify the standard package, use the “Classic” part number (eg. IAC5.)
- All cases are yellow, with the exception of white IN cases.

INPUT: WRC4 & 1781	IA5S	IAYS	IAXS	IM5S	IMYS	IMXS	IN5S IA5SE	INYS	INXS	Units
INPUT: CLASSIC	IAC5	IAC15	IAC24	IAC5A	IAC15A	IAC24A	IDC5	IDC15	IDC24	
Nominal Input Voltage	120	120	120	240	240	240	24	24	24	Vrms/Vdc
Minimum Input Voltage	90	90	90	180	180	180	10	10	10	Vrms/Vdc
Maximum Input Voltage	140	140	140	280	280	280	60	60	60	Vrms/Vdc
Maximum Input Current	10	10	10	8	8	8	30	30	30	mA rms
Drop Out Current	2.5	2.5	2.5	1.5	1.5	1.5	1.0	1.0	1.0	mA rms
Allowable Off-state Current	3.0	3.0	3.0	2.0	2.0	2.0	1.0	1.0	1.0	mA rms
Allowable Off-state Voltage	50	50	50	120	120	120	2.0	2.0	2.0	Vrms/Vdc
<b>OUTPUT</b>										
Nominal Logic Voltage	5	15	24	5	15	24	5	15	25	V dc
Minimum Logic Voltage - WRC4	3	10	18	3	10	18	3	10	18	V dc
Minimum Logic Voltage - 1781*	1.5	8.5	16.5	1.5	8.5	16.5	1.5	8.5	16.5	V dc
Maximum Logic Voltage - WRC4	7	20	32	7	20	32	7	20	32	V dc
Maximum Logic Voltage - 1781*	6	19	30.5	6	19	30.5	6	19	30.5	V dc
Typical Logic Supply Current	10	10	10	10	10	10	10	10	10	mA dc
Max. Logic Supply Current**	18.5	16	14	18.5	16	14	18.5	16	14	mA dc
Max. Logic Sup. Leak. Current**	10	10	10	10	10	10	10	10	10	uA dc
Maximum Output Voltage	30	30	30	30	30	30	30	30	30	V dc
Maximum Output Current	50	50	50	50	50	50	50	50	50	mA dc
Max. Output Leakage Current**	10	10	10	10	10	10	10	10	10	uA dc
Max. Output Voltage Drop	200	200	200	200	200	200	200	200	200	mV dc
Maximum Turn-on Time (Vac)	20	20	20	20	20	20	20	20	20	msec
Maximum Turn-off Time (Vac)	30	30	30	30	30	30	30	30	30	msec
Maximum Turn-on Time (Vdc)	1	1	1	1	1	1	1	1	1	msec
Maximum Turn-off Time (Vdc)	1	1	1	1	1	1	1	1	1	msec

\* @ nominal voltage with LED on mounting board

\*\* @ maximum logic voltage

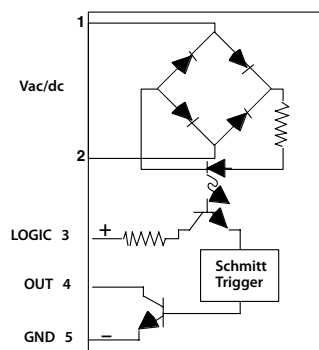
**General specifications**

Operating temperature range	-30 to +80°C
Storage temperature range	-40 to +100°C
Isolation	4,000 V rms
Capacitance input to output	8 pF
Line frequency range	0 to 63 Hz

**Application notes**

- Do not install or remove modules in live (electrically hot) circuits. High voltage may be present.
- Input connections are non-polarized.

**1781 and Classic**



**WRC4**

