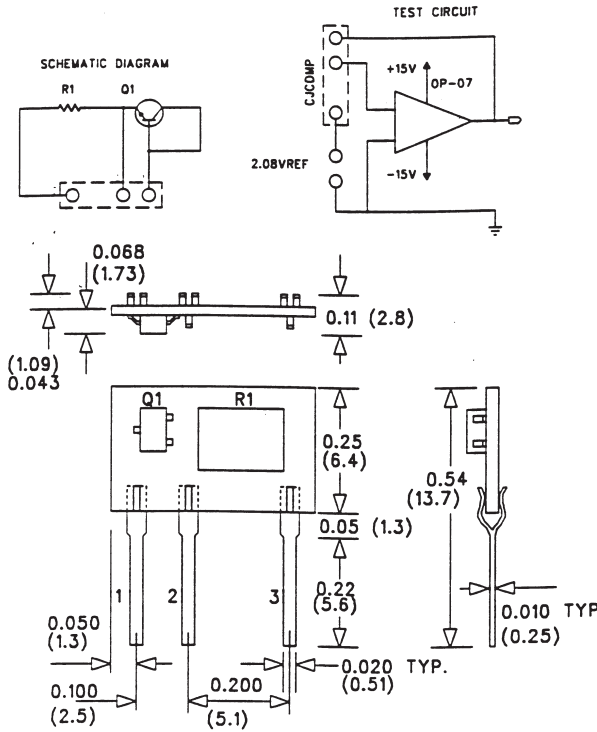


WRC1361 Cold Junction Temperature Sensor



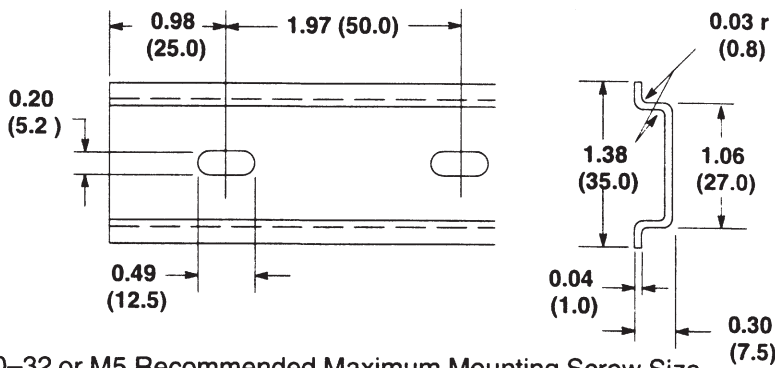
The WRC1361 is an integrated hybrid component used to sense ambient temperature. It is the component used in WRC 1781 and 1782 Series 5Bxx analog mounting boards to provide cold-junction compensation for the 1781-5B37 and 1781-5B47 thermocouple input modules. When connected in a mounting board with the above 1781-5B thermocouple modules, the voltage output of the sensor is: $V_{1-2} = 0.510 - 0.0025 * (T-25)$ volts

V1-2 is the voltage measured from pin 1 to pin 2 and T is the ambient temperature in Centigrade.

The accuracy of the WRC1361 is:

at 25°C:	0.3°C
+5°C to +45°C:	0.7°C
+0°C to +60°C:	1.0°C

WRC50022 DIN mounting rail



#10-32 or M5 Recommended Maximum Mounting Screw Size

Description

- Symmetrical Rail
- 35 mm x 7.5 mm
- 3.28' (1m long)
- Zinc Plated, Yellow Chromated Steel