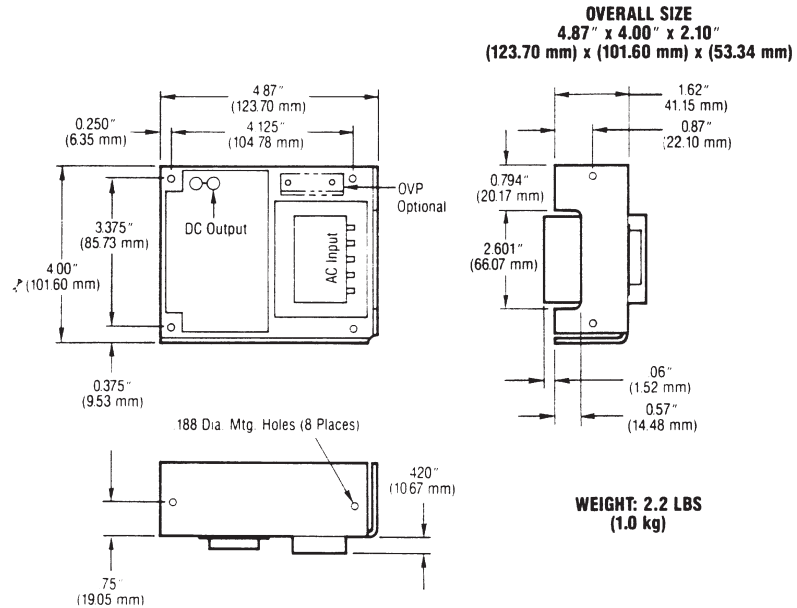


The 1781-PSx series of power supplies accept ac main power to supply the necessary regulated dc power to the SmartMux adapters and I/O. Select the power supply appropriate for the SmartMux adapter.

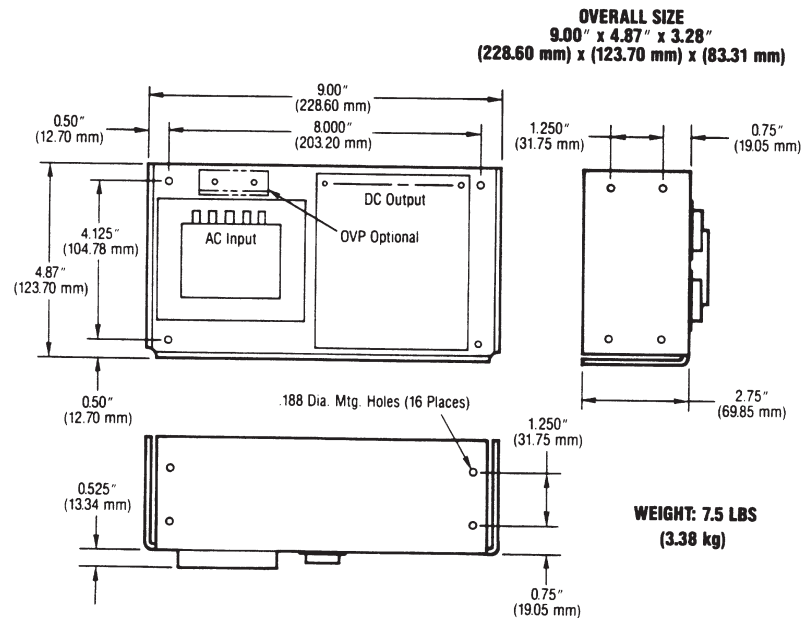
1781-PS1

- **1781-PS1** Single Output Linear Power Supply:
 5 V dc @ 3 A
 For use with 1781-JxB adapters.

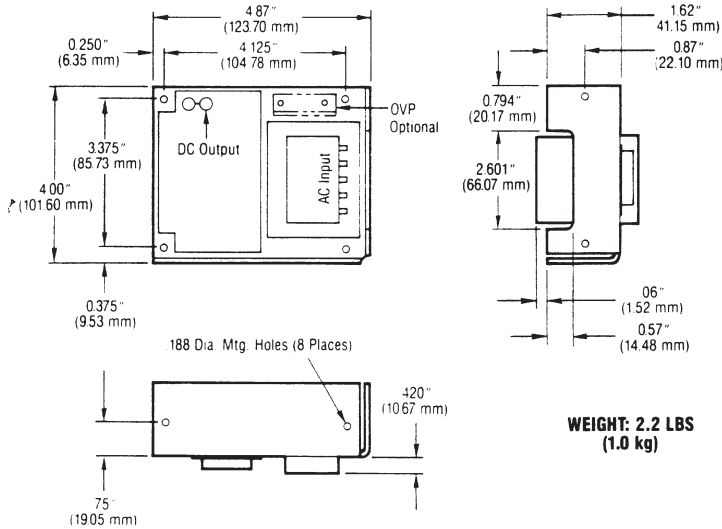


1781-PS2

- **1781-PS2** Triple Output Linear Power Supply:
 5 V dc 6 A and ±12 V dc @ 1 A
 For use with 1781-JxA adapters



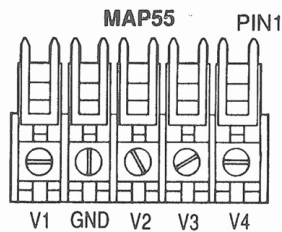
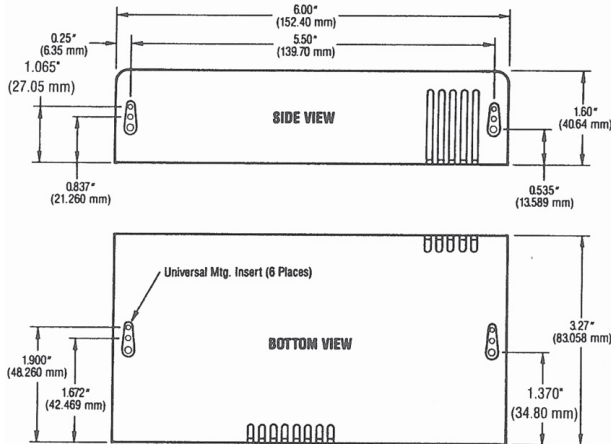
OVERALL SIZE
4.87" x 4.00" x 2.10"
(123.70 mm) x (101.60 mm) x (53.34 mm)



WEIGHT: 2.2 LBS
(1.0 kg)

1781-PS4

- **1781-PS4** Single Output Linear Power Supply:
 24 V dc @ 1.2 A
 For use with 1781-7B series analog I/O and 1781-JPA7 SmartPMux adapter, as well as all DeviceNet applications.



SINGLE OUTPUT MODELS USE THE V1 PIN(S).
MATES WITH MOLEX SERIES 2139 OR 6442

1781-PS7-55

- **1781-PS7-55** Quad Output Switcher Power Supply:
 +5 V dc @ 6 A
 ±12 V dc @ .5 A
 +24 V dc @ 2.5 A

For use with 1781-JxA7 SmartPMux adapters.

Common Specifications

AC input voltage	Automatically adjusts from 90-264 Vac
Line regulation	±0.2% for a 10% line change
Load regulation	2% for a 50% load change
Output ripple	5 V dc: 3.0 mV peak-to-peak
Short circuit & overload protection	Automatic current limit/foldback with automatic recovery. Internal ac fuse provided.
Overvoltage	6.2 V ±0.4 V (on 5 V outputs only protection)
Operating temperature	0°C to 50°C full-rated, derated linearly to 50% from 50°C to 70°C
Storage temp.	-55°C
Temperature coefficient	0.03%/°C typical, 0.03%/°C maximum
Efficiency	75%
Shock & vibration	2 cG peak acceleration, 10 Hz to 2 KHz, 6.15 grms (3 axis)
Safety agencies	UL 1950, CSA C22.2 #950, CE/TUV